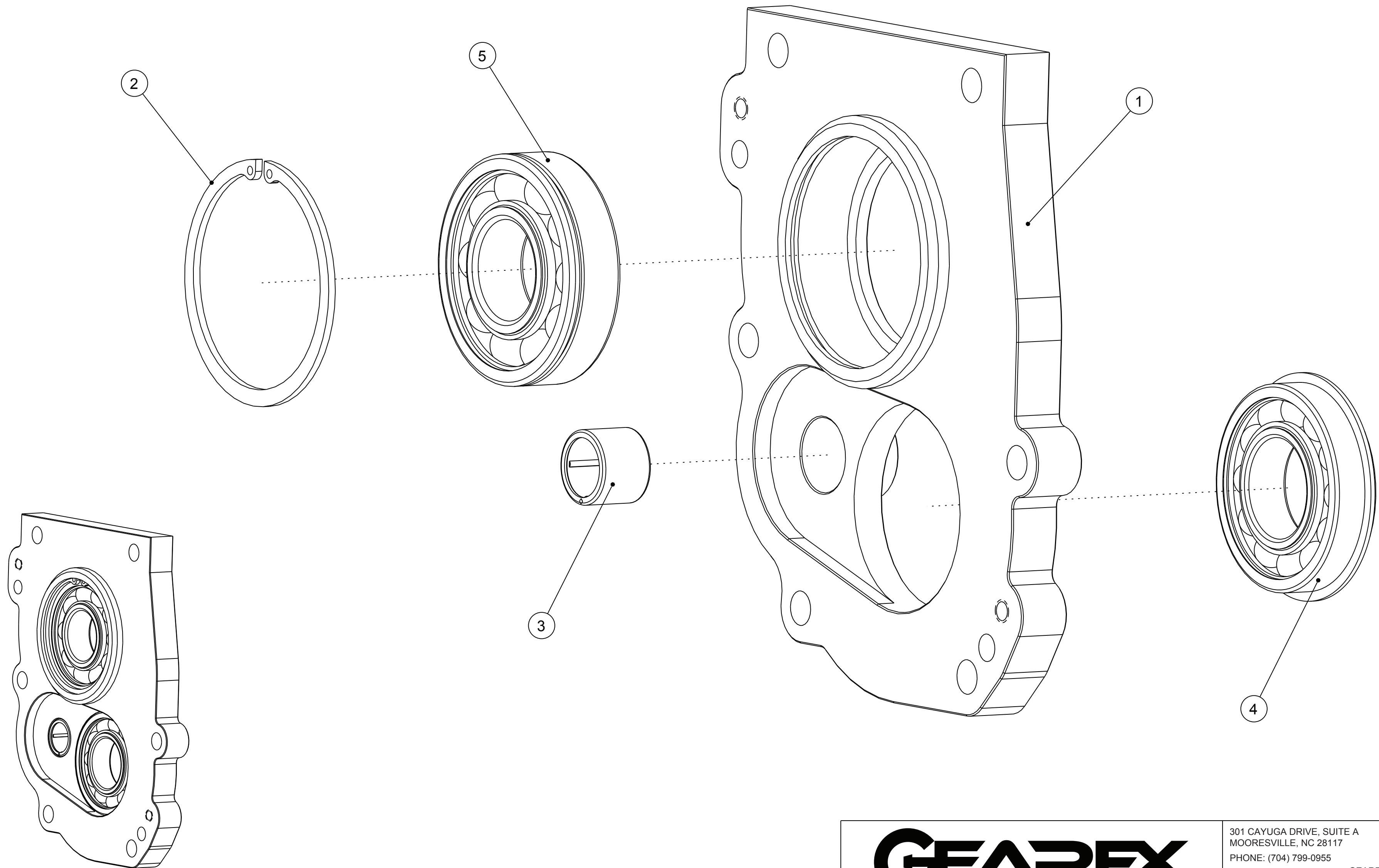


THIS DRAWING MUST BE RETURNED TO GEARFX OR DESTROYED UPON REQUEST

THE INFORMATION CONTAINED IN THIS DRAWING IS THE SOLE PROPERTY OF GEARFX DRIVELINE ANY REPRODUCTION IN PART OR WHOLE WITHOUT THE WRITTEN PERMISSION OF GEARFX DRIVELINE IS PROHIBITED



SCALE 0.500

INDEX	PART NUMBER	QTY.	DESCRIPTION
1	CRS-BB1-013.001	1	MIDPLATE
2	CRS-BB1-HO-315	1	SNAP RING
3	CRS-BB1-INAHK2020	1	NEEDLE BEARING
4	CRS-NSKBL207NR	1	207 BEARING
5	CRS-SKF307NR	1	BEARING

		301 CAYUGA DRIVE, SUITE A MOORESVILLE, NC 28117 PHONE: (704) 799-0955 GEARFXDRIVELINE.COM	
		THIRD ANGLE PROJECTION 	DO NOT SCALE IF IN DOUBT ASK 1 / GBOX WEIGHT
PLEASE INFORM GEARFX OF DRAWING ERRORS 3D CAD MODEL AVAILABLE ON REQUEST		REMOVE ALL BURRS AND SHARP EDGES DIMENSIONS IN INCHES ANGLES IN DEGREES *TOLERANCE AS BELOW UNLESS OTHERWISE STATED 1 DECIMAL PLACES ±0.050 2 DECIMAL PLACES ±0.010 3 DECIMAL PLACES ±0.005 4 DECIMAL PLACES ±0.002 ANGLES ±0.5	
ISSUE MODIFICATIONS BY CHK DATE	DRAWN BP	CHKD. BY BA	DATE 08/20/08
MATERIAL		FINISH	
TITLE CR1 MIDPLATE ASSY		PART NUMBER CRS-CR1 MIDPLATE ASSY	
P1 PROTOTYPE RELEASE			