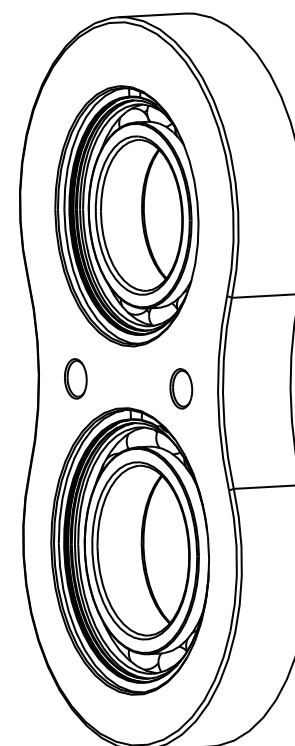
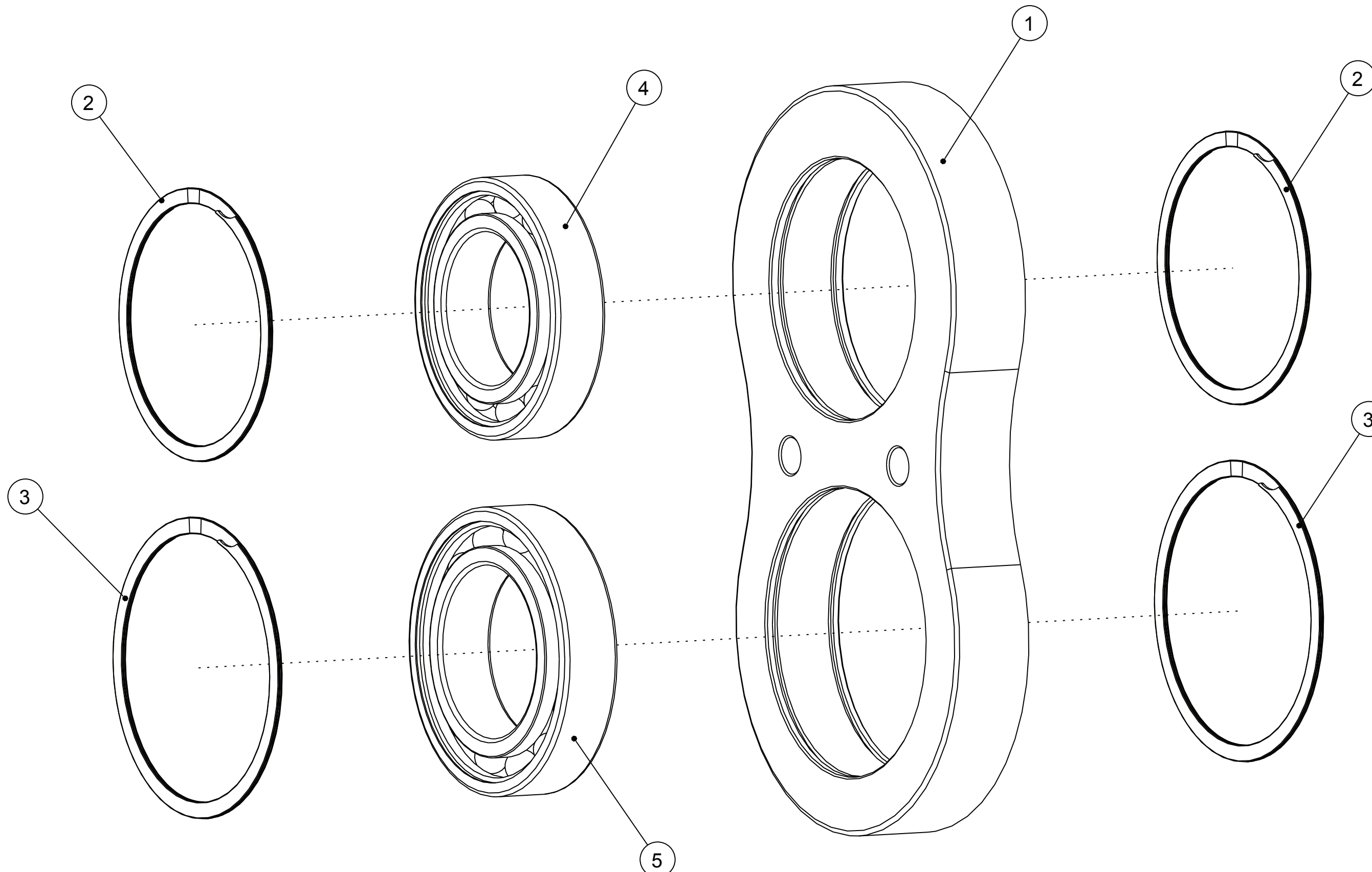


THIS DRAWING MUST BE RETURNED TO GEARFX OR DESTROYED UPON REQUEST

THE INFORMATION CONTAINED IN THIS DRAWING IS THE SOLE PROPERTY OF GEARFX DRIVELINE ANY REPRODUCTION IN PART OR WHOLE WITHOUT THE WRITTEN PERMISSION OF GEARFX DRIVELINE IS PROHIBITED



ASSEMBLED VIEW
SCALE 0.500

INDEX	PART NUMBER	QTY.	DESCRIPTION
1	CRS-BB1-008.001	1	CARRIER BEARING
2	CRS-BB1RR267	2	SPIROLOX, RR267
3	CRS-BB1RR295	2	SPIROLOX, RR-295
4	CRS-SKF6008	1	MS BEARING
5	CRS-SKF6009	1	BEARING

		301 CAYUGA DRIVE, SUITE A MOORESVILLE, NC 28117 PHONE: (704) 799-0955 GEARFXDRIVELINE.COM	
		THIRD ANGLE PROJECTION	
PLEASE INFORM GEARFX OF DRAWING ERRORS 3D CAD MODEL AVAILABLE ON REQUEST		REMOVE ALL BURRS AND SHARP EDGES DIMENSIONS IN INCHES ANGLES IN DEGREES *TOLERANCE AS BELOW UNLESS OTHERWISE STATED 1 DECIMAL PLACES ±0.050 2 DECIMAL PLACES ±0.010 3 DECIMAL PLACES ±0.005 4 DECIMAL PLACES ±0.002 ANGLES ±0.5	
ISSUE P1	MODIFICATIONS PROTOTYPE RELEASE	BY CHK DATE	DATE 08/21/07
DO NOT SCALE IF IN DOUBT ASK 1 / GBOX WEIGHT SCALE FULL FINISH PART NUMBER CRS-CR1 SHT SPT ASSY		MATERIAL TITLE CRS-CR1 SHAFT SUPPORT ASSY	