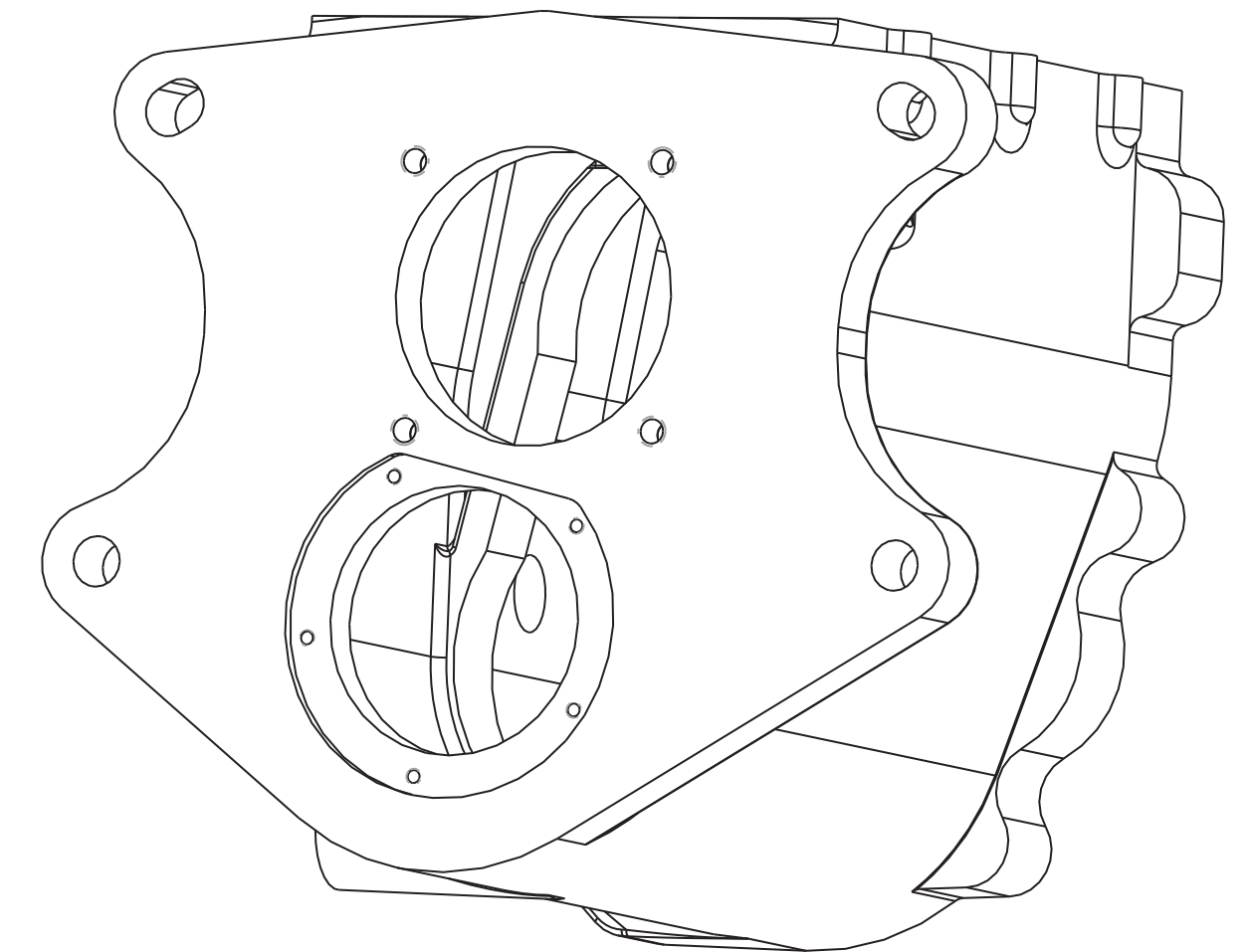
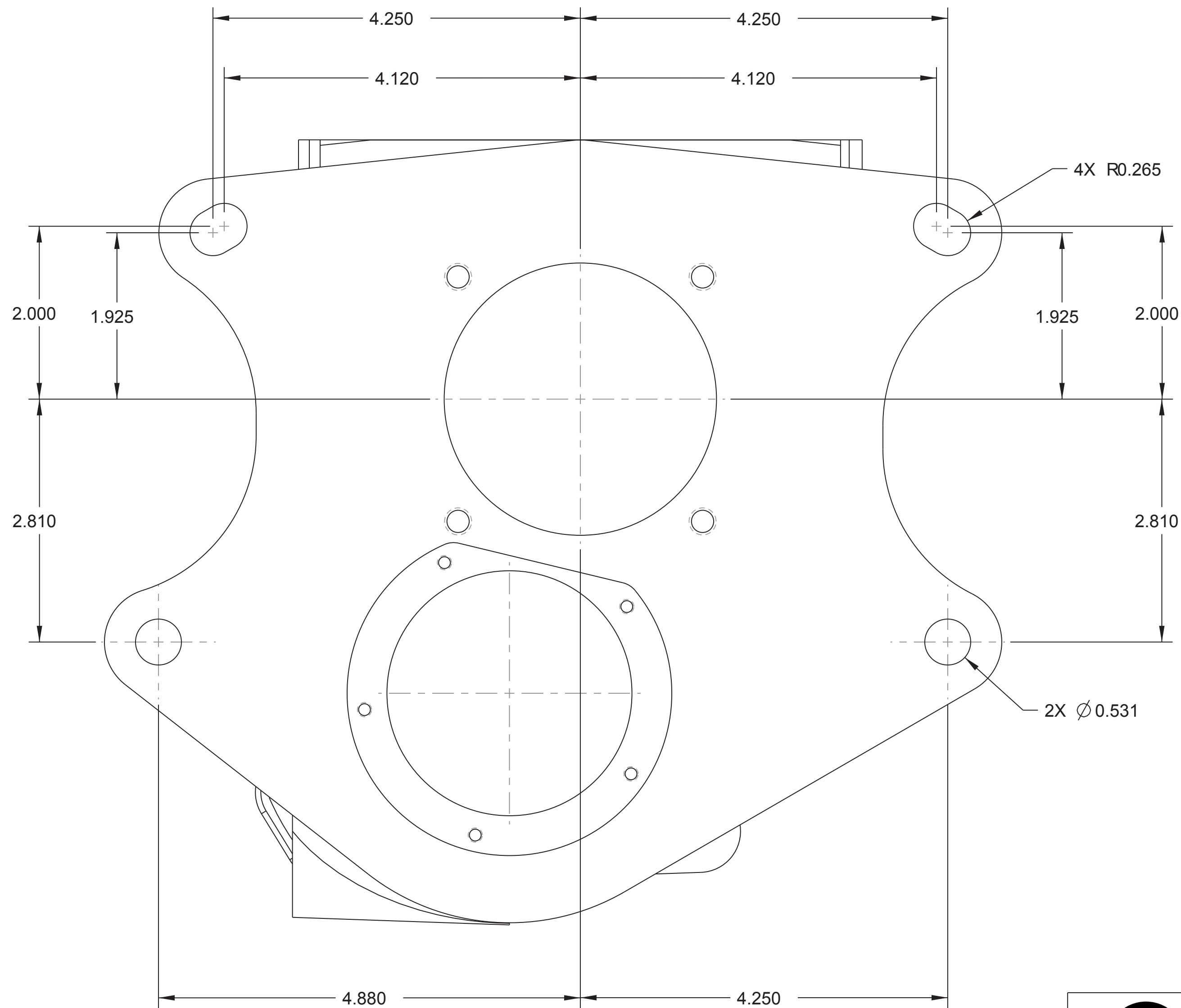


THIS DRAWING MUST BE RETURNED TO GEARFX OR DESTROYED UPON REQUEST

THE INFORMATION CONTAINED IN THIS DRAWING IS THE SOLE PROPERTY OF GEARFX DRIVELINE ANY REPRODUCTION IN PART OR WHOLE WITHOUT THE WRITTEN PERMISSION OF GEARFX DRIVELINE IS PROHIBITED



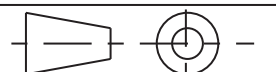
SCALE 0.500



114 INFIELD COURT
MOORESVILLE, NC 28117
PHONE: (704) 799-0955

GEARFXDRIVELINE.COM

THIRD ANGLE
PROJECTION



PLEASE INFORM GEARFX OF DRAWING ERRORS 3D CAD MODEL AVAILABLE ON REQUEST					REMOVE ALL BURRS AND SHARP EDGES			DO NOT SCALE IF IN DOUBT ASK	
ISSUE	MODIFICATIONS	BY	CHK	DATE	DIMENSIONS IN INCHES ANGLES IN DEGREES •TOLERANCE AS BELOW UNLESS OTHERWISE STATED			WEIGHT	
					1 DECIMAL PLACES ±0.050			SCALE	
					2 DECIMAL PLACES ±0.010			FULL	
					3 DECIMAL PLACES ±0.005			FINISH	
					4 DECIMAL PLACES ±0.002			PART NUMBER	
					ANGLES ±0.5				
					DRAWN	CHKD. BY	DATE		
					BP		05/15/07		
					MATERIAL				
					TITLE				
P1	PROTOTYPE RELEASE				CR1/CR2 BELLHOUSING BOLT PATTERN				