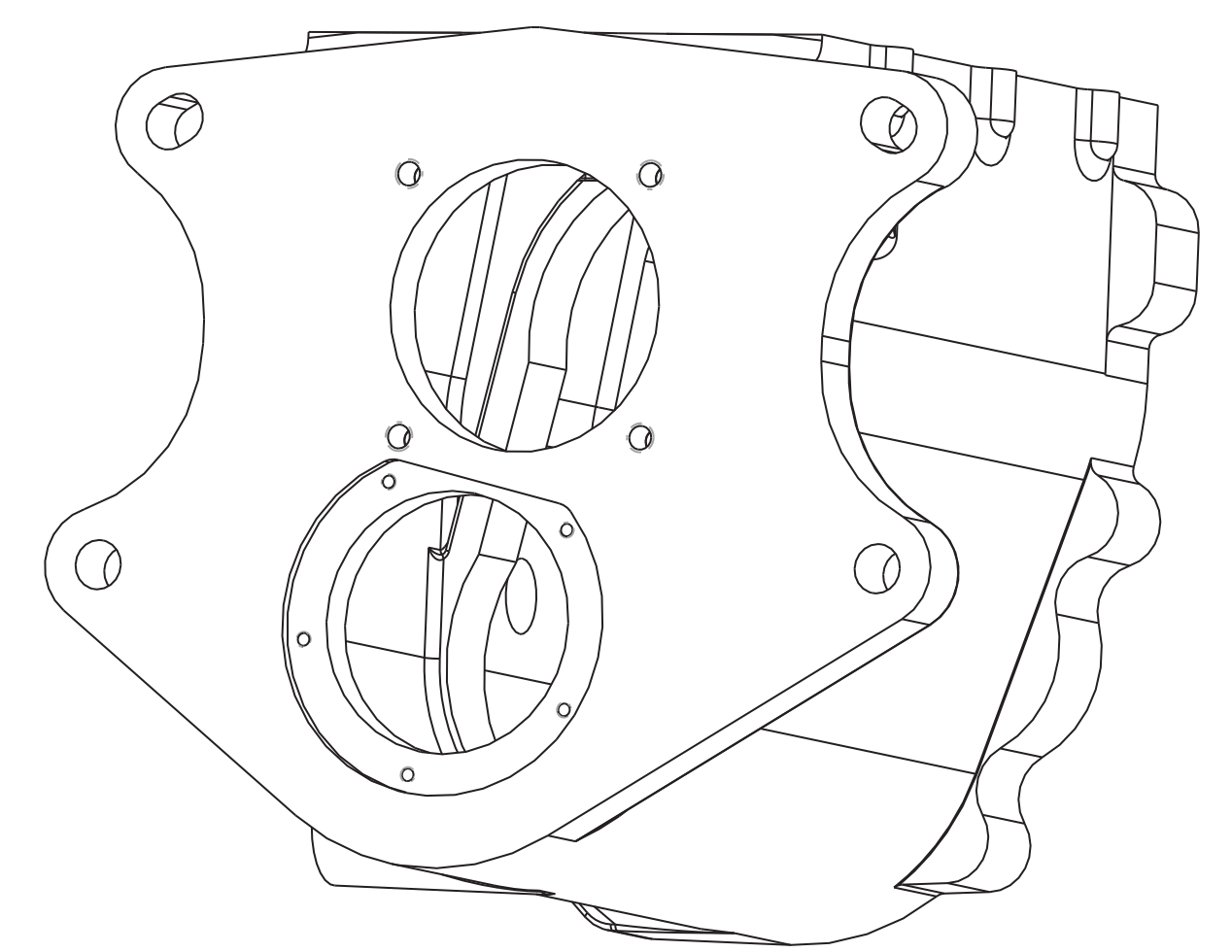
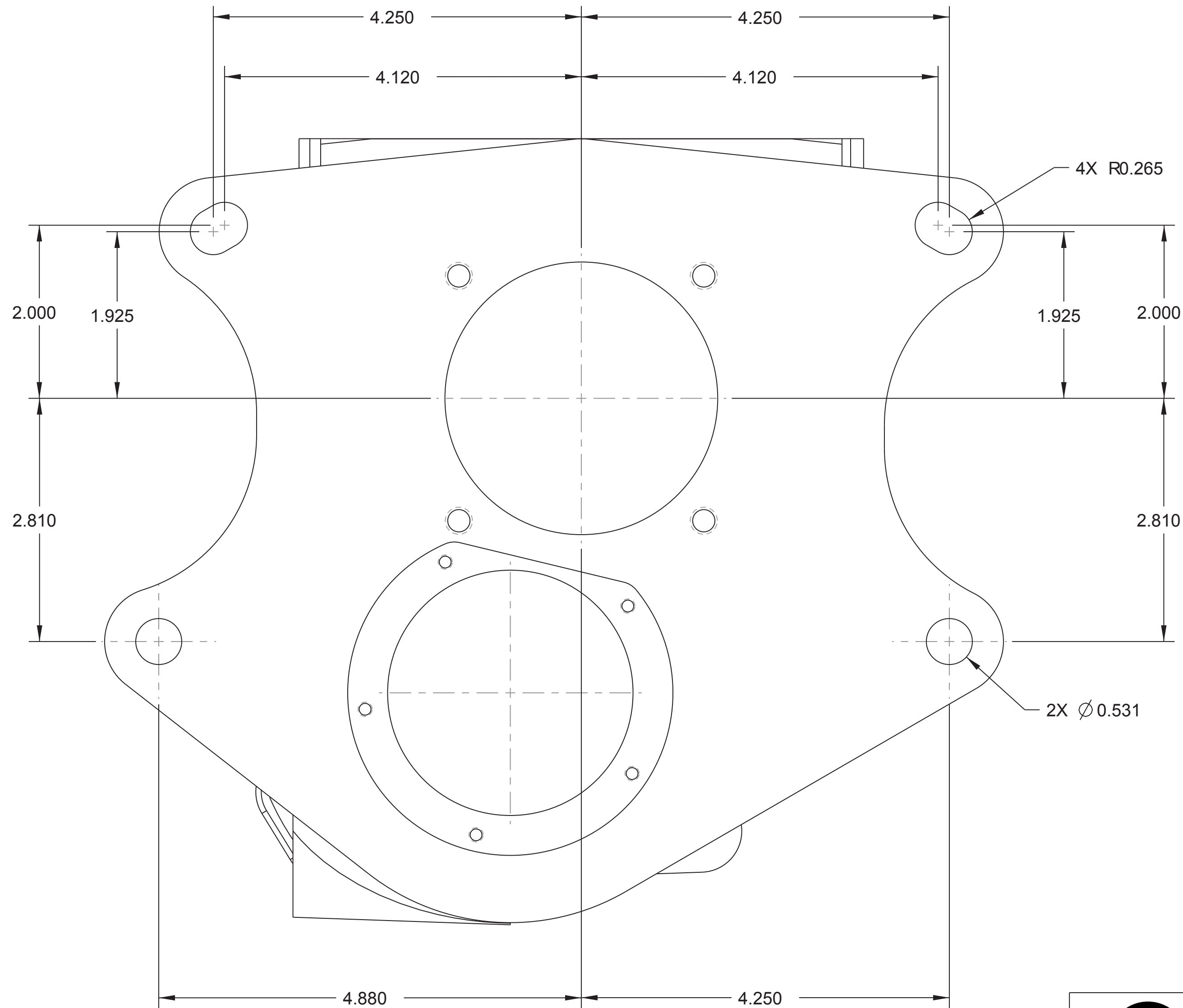


THIS DRAWING MUST BE RETURNED TO GEARFX OR DESTROYED UPON REQUEST

THE INFORMATION CONTAINED IN THIS DRAWING IS THE SOLE PROPERTY OF GEARFX DRIVELINE ANY REPRODUCTION IN PART OR WHOLE WITHOUT THE WRITTEN PERMISSION OF GEARFX DRIVELINE IS PROHIBITED



SCALE 0.500



301 CAYUGA DRIVE, SUITE A
MOORESVILLE, NC 28117
PHONE: (704) 799-0955
GEARFXDRIVELINE.COM

THIRD ANGLE PROJECTION

PLEASE INFORM GEARFX OF DRAWING ERRORS 3D CAD MODEL AVAILABLE ON REQUEST					REMOVE ALL BURRS AND SHARP EDGES			DO NOT SCALE IF IN DOUBT ASK		
ISSUE	MODIFICATIONS	BY	CHK	DATE	DIMENSIONS IN INCHES ANGLES IN DEGREES •TOLERANCE AS BELOW UNLESS OTHERWISE STATED					
					1 DECIMAL PLACES ± 0.050					
					2 DECIMAL PLACES ± 0.010					
					3 DECIMAL PLACES ± 0.005					
					4 DECIMAL PLACES ± 0.002					
					ANGLES ± 0.5					
					DRAWN BP	CHKD. BY	DATE 05/15/07	SCALE FULL		
					MATERIAL					FINISH
					TITLE					PART NUMBER
P1	PROTOTYPE RELEASE				CR1/CR2 BELLHOUSING BOLT PATTERN					