

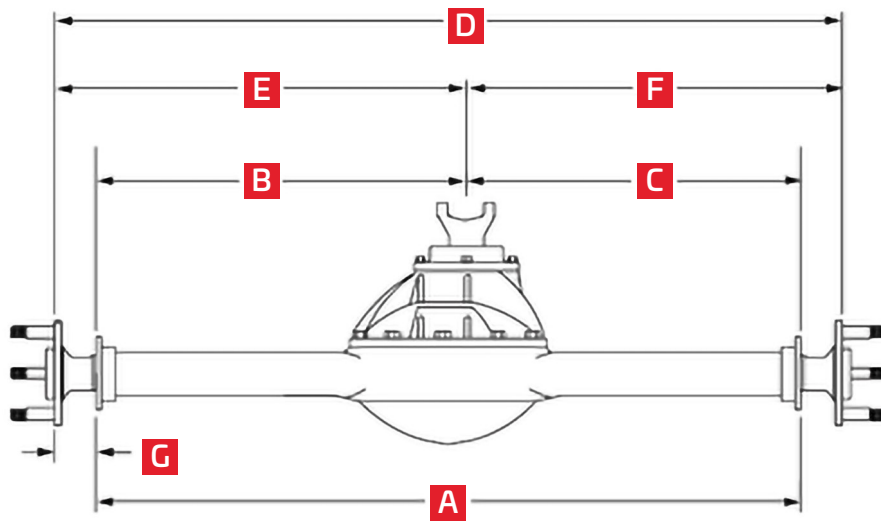
REAREND HOUSING MEASUREMENT FORM

** It is important for the customer to fill out this form completely and accurately. GearFX is not responsible for measurements that are not accurate or correct.*

Customer Name: _____

Phone Number: _____ Email: _____

Date: _____ Signature: _____



- A** _____ Housing flange to flange
- B** _____ Driver side housing flange to pinion center
- C** _____ Passenger side housing flange to pinion center
- D** _____ Axle flange to axle flange width
- E** _____ Axle flange (driver's side) to pinion center
- F** _____ Axle flange (passenger side) to pinion center
- G** _____ Axle flange to housing flange (brake stand-out)

_____ Drum or Rotor thickness at axle flange
 _____ Housing Type: Ford 9", 8.8, or GM 12 bolt
 _____ Axle Type: Flanged or Floater
 _____ Wheel Bolt Pattern (ie: 5" x 5", 5" x 4.750")
 _____ Wheel Studs 1/2"-20 x 3.00" or 12mm x 1.5"
 _____ Brake Type: Disc or Drum
 _____ Vehicle Year / Make / Model

 _____ Estimated Horsepower
 _____ Typical Vehicle Use: Street / Drag / Autocross